

A. Safety Guide

Thank you for purchasing this products.



WARNING • Before using, read these user's manuals of this product to ensure correct usage through understanding. After reading, store them in a safe place for future reference. Incorrect handling of this product could possibly result in personal injury or physical damage. The manufacturer assumes no responsibility for any damage caused by mishandling that is beyond normal usage defined in these manuals of this product.



- You will be using sharp tools. Always use personal protective equipment such as gloves and safety glasses to avoid the risk of injury.
- Make sure the floor you step on is dry, free from any liquids such as oil and water when assembling this product. Use anti-slip shoes to avoid falling due to slips.
- Keep this product out of reach of electric current, as this product is made of metal that conducts electricity.
- Make sure there is adequate lighting when doing the assembly. When assembling keep it away from children and pets.

B. Equipment needed to assemble.

Not included in the item package.

- Safety transparent glass (if there any)
- Safety Gloves and Safety Shoes
- Electrical Hand Drill

It is recommended that you have knowledge of assembly are helpfull.

SAFETY PRECAUTION



K9 KENNEL STORE

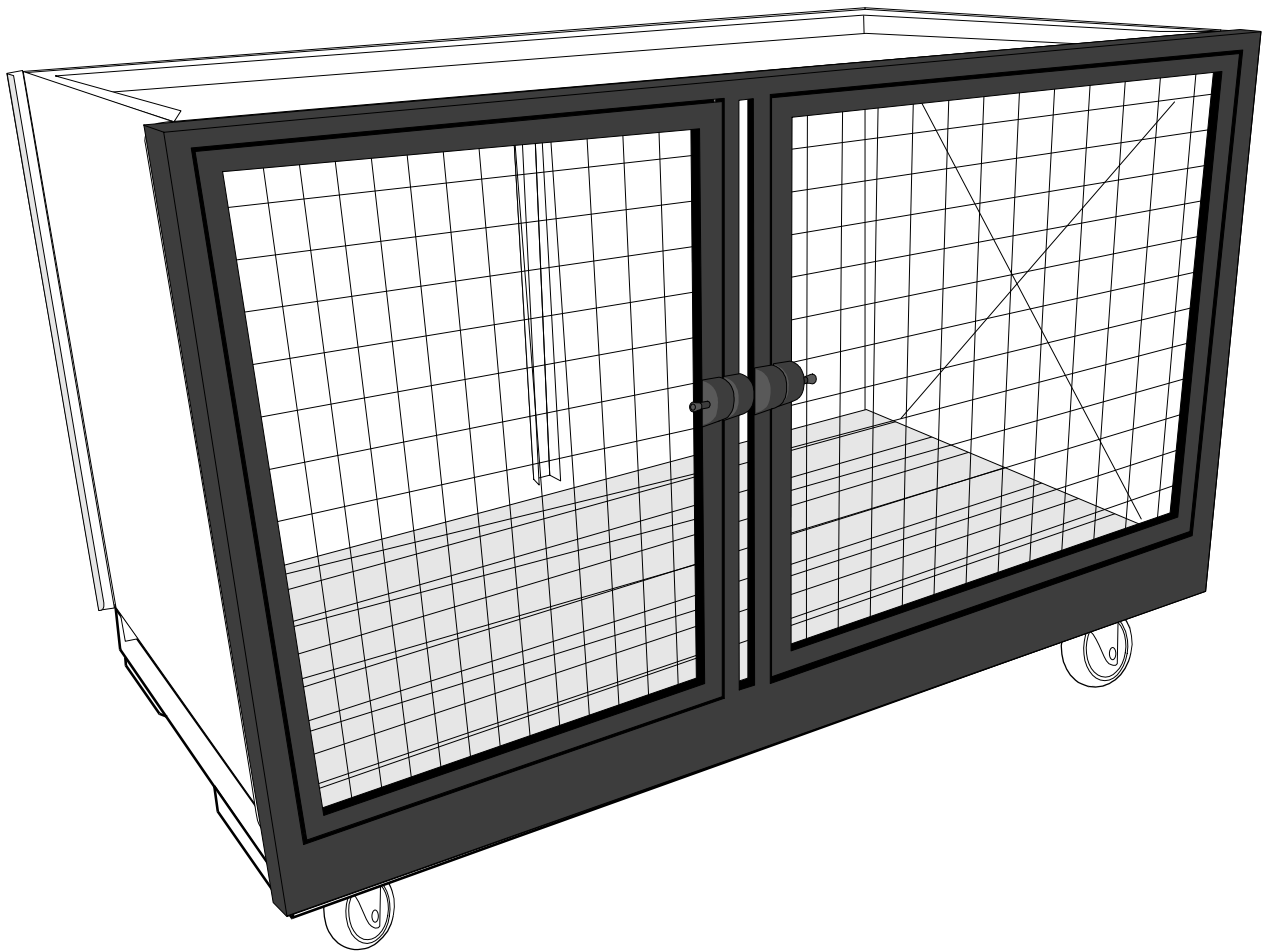
833 West 27th Street Ogden, Ut 84401

Phone : (801) 621-4024 Fax : (801) 621-4353

E-Mail : k9kennelsstore@gmail.com

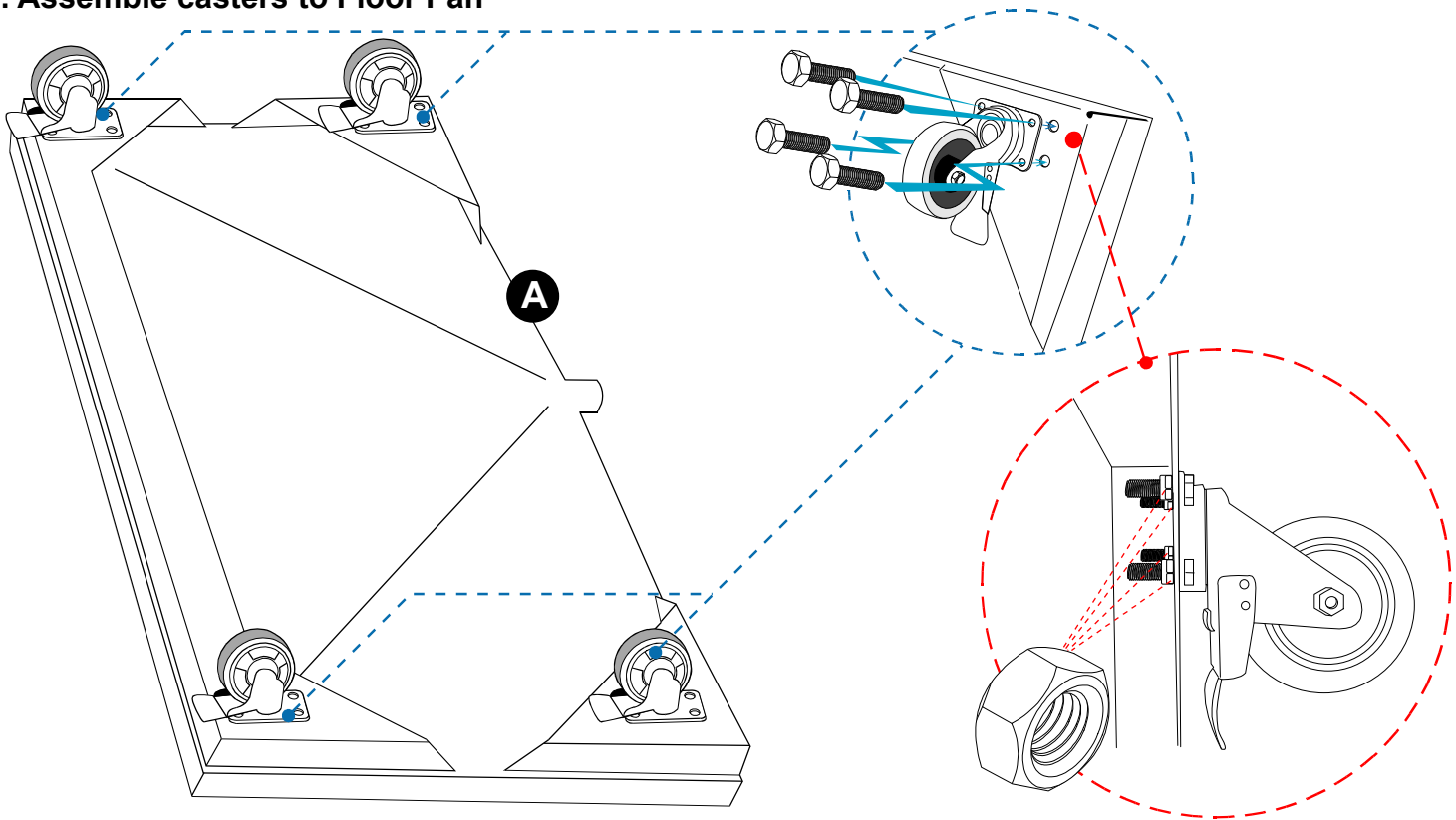
C. Whats inside the package?

- A** - Floor Pan with Casters
- B** - Front Door Panel
- C** - Left Side Wall
- D** - Right Side Wall
- E** - Rear Wall with Partition Channel
- F** - Roof Wall with Partition Channel
- G** - Partition Panel
- H** - Raised Floor
- I** - Plumbing Hardware

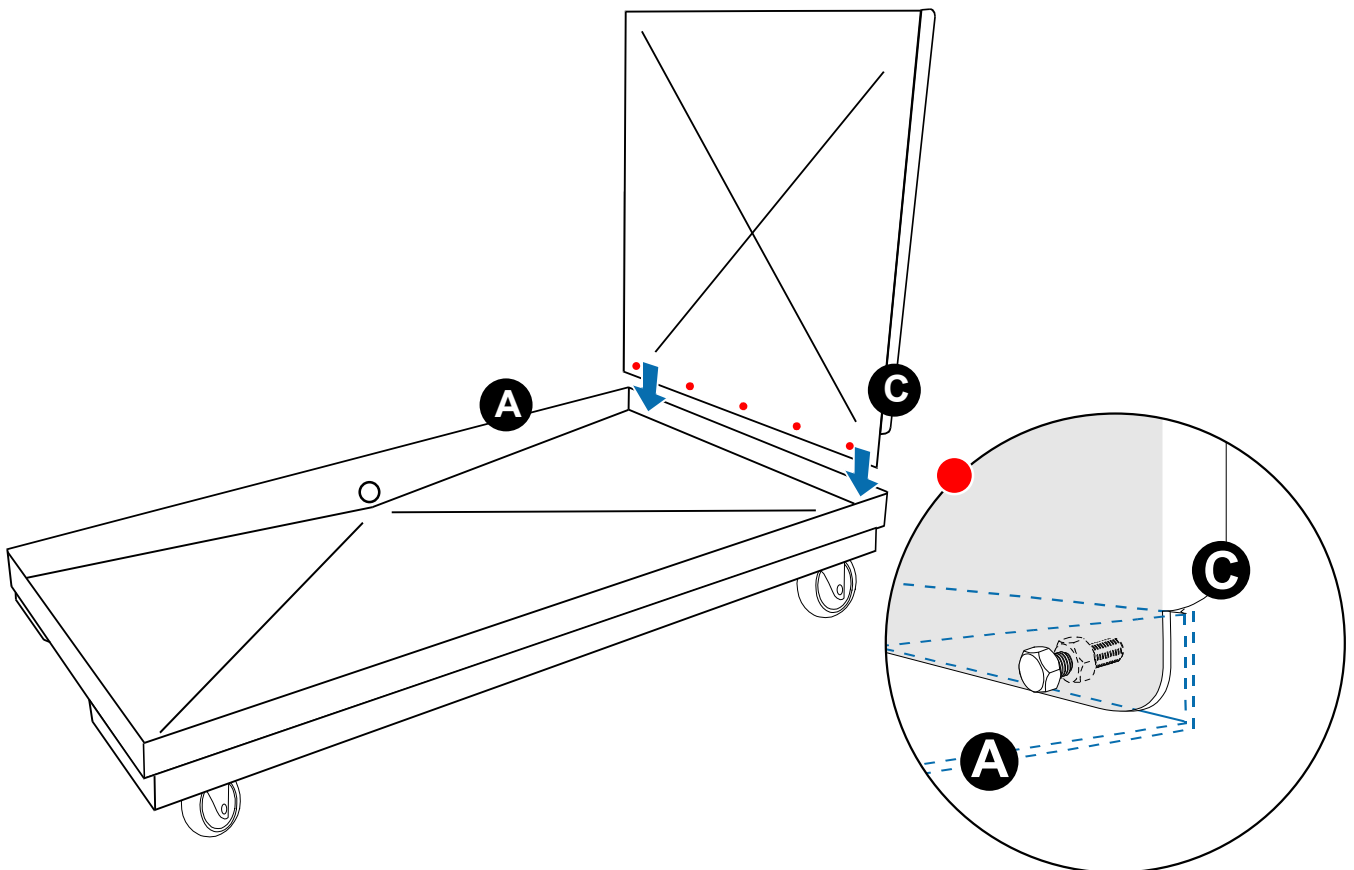


D. How to Assemble

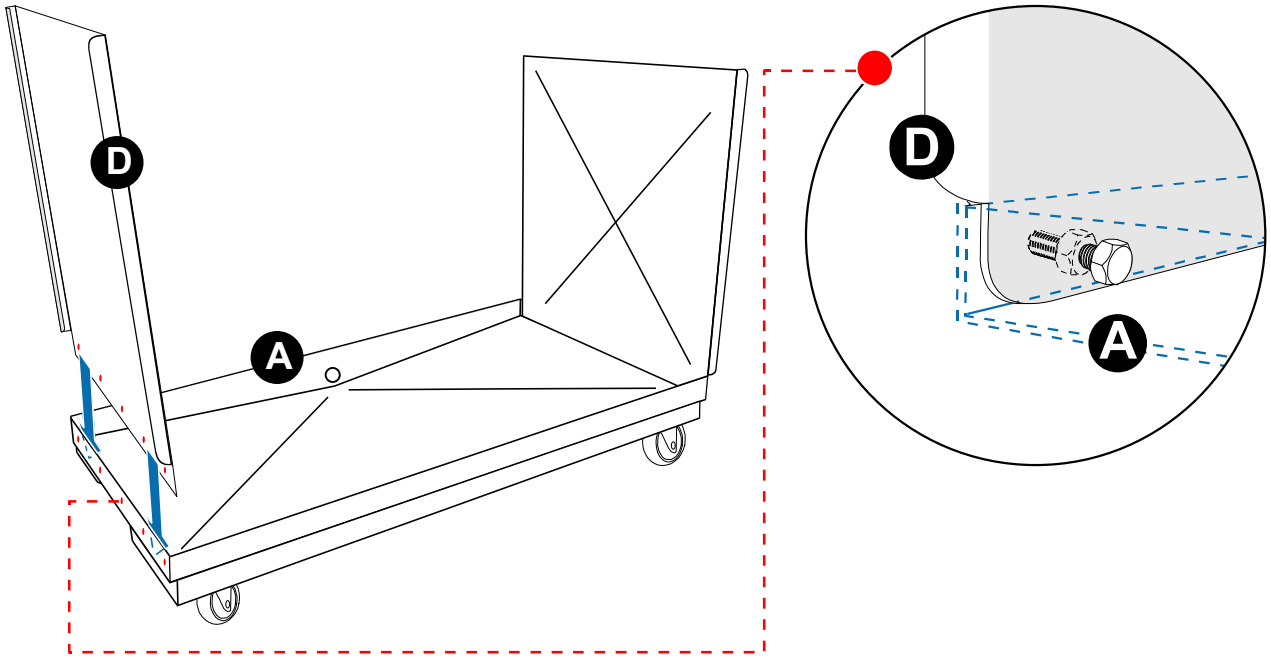
1. Assemble casters to Floor Pan



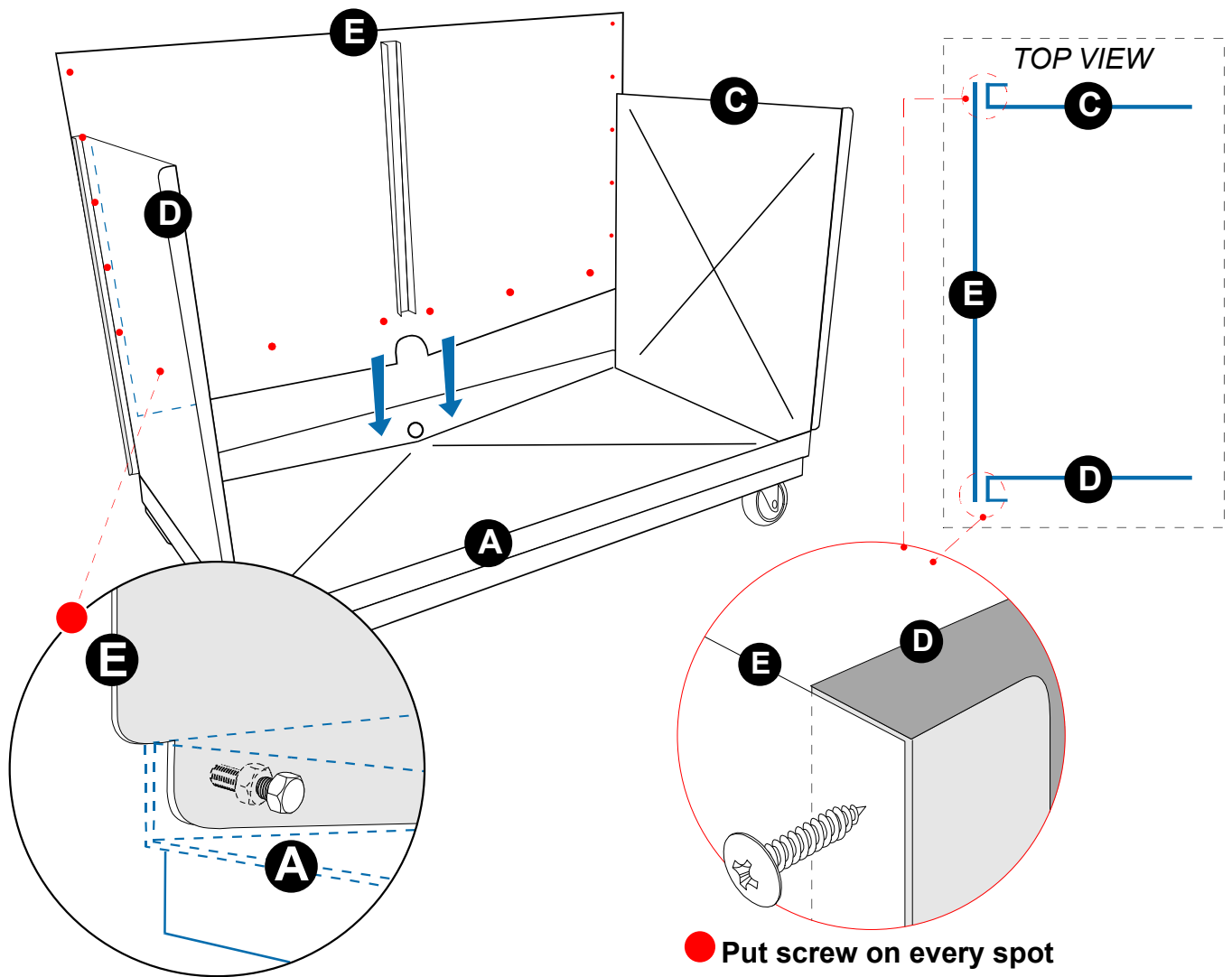
2. Attach Left Side Wall Panel to inside of Floor Pan



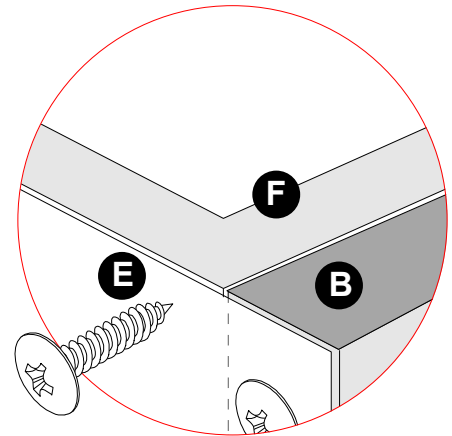
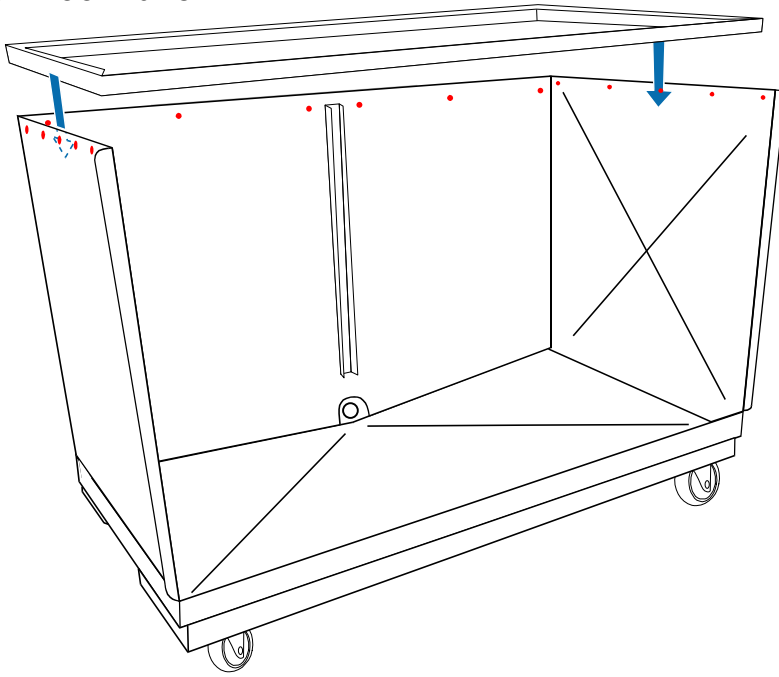
3. Attach Right Side Wall Panel to inside of Floor Pan



4. Attach Back Side Wall Panel to inside of Floor Pan

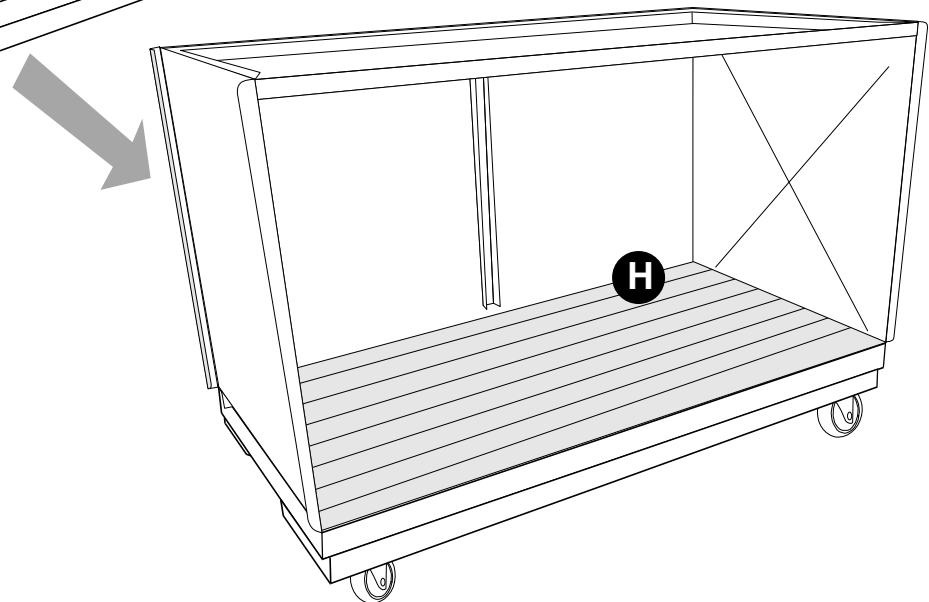
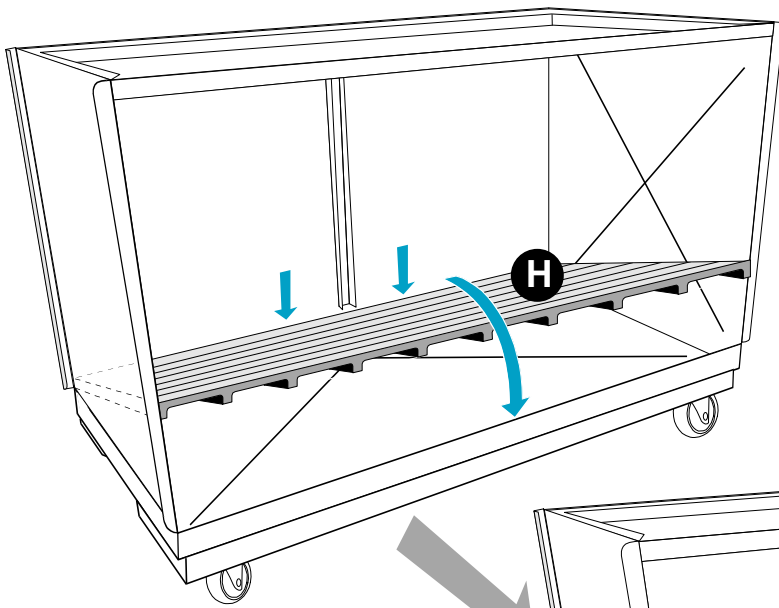


5. Attach Roof Panel

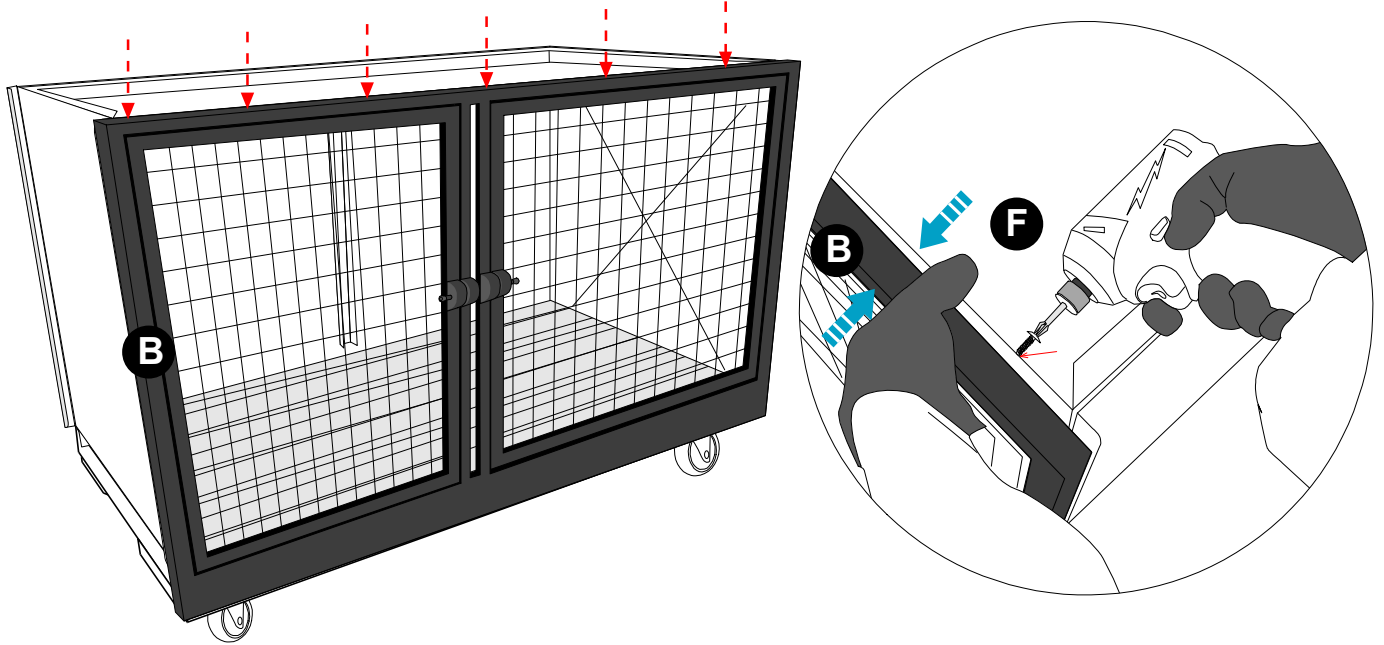


● Put screw on every spot

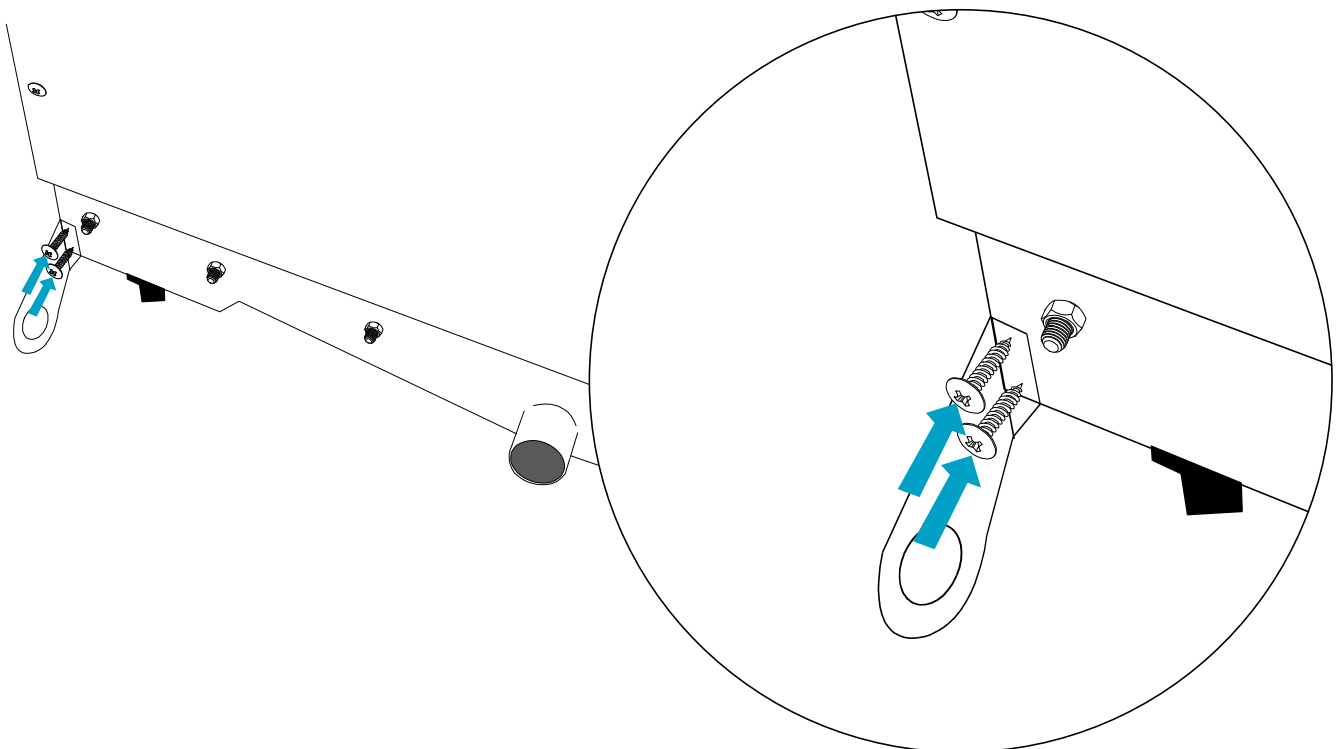
6. Attach Raised Floor



7. Attach Front Door Panel to Side Walls Roof & Floor

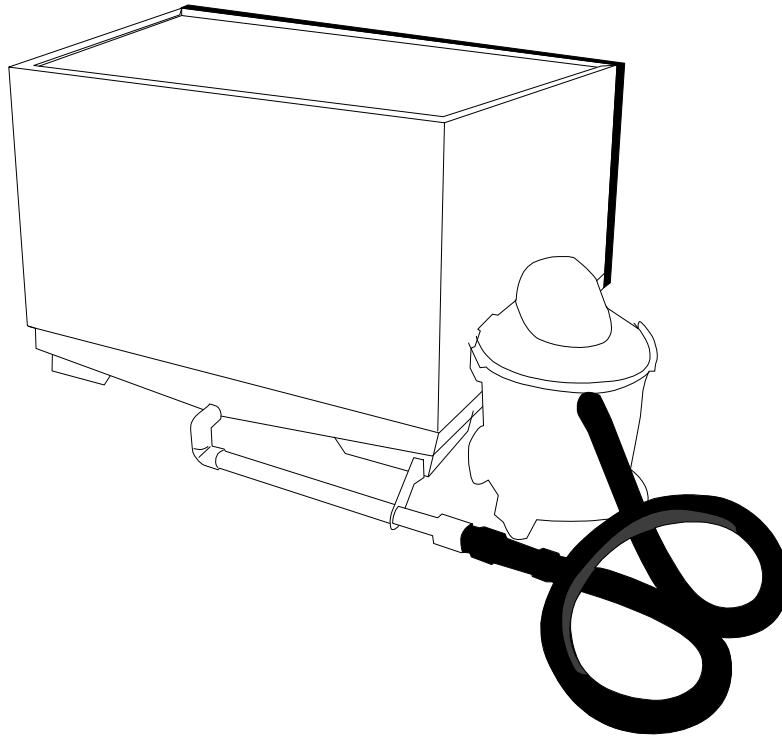


8. Attach Plumbing Bracket to Floor Pan

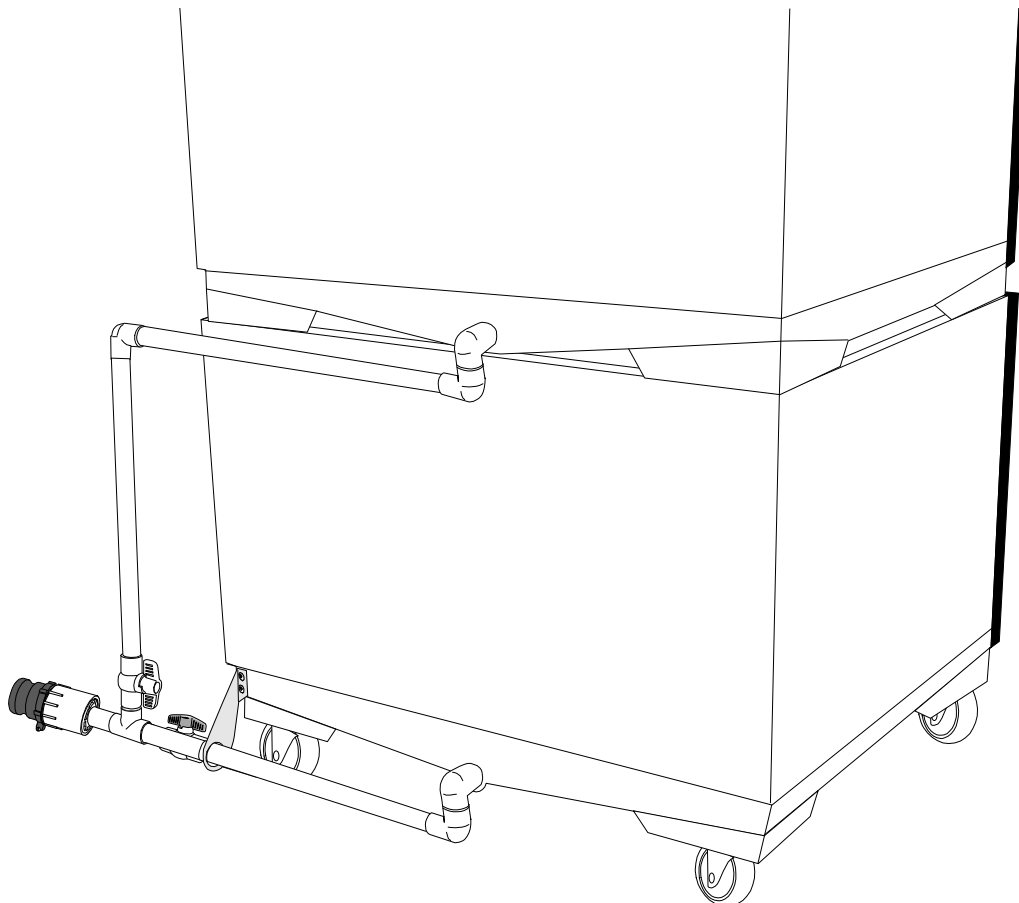


DRAIN PIPE INSTALATION

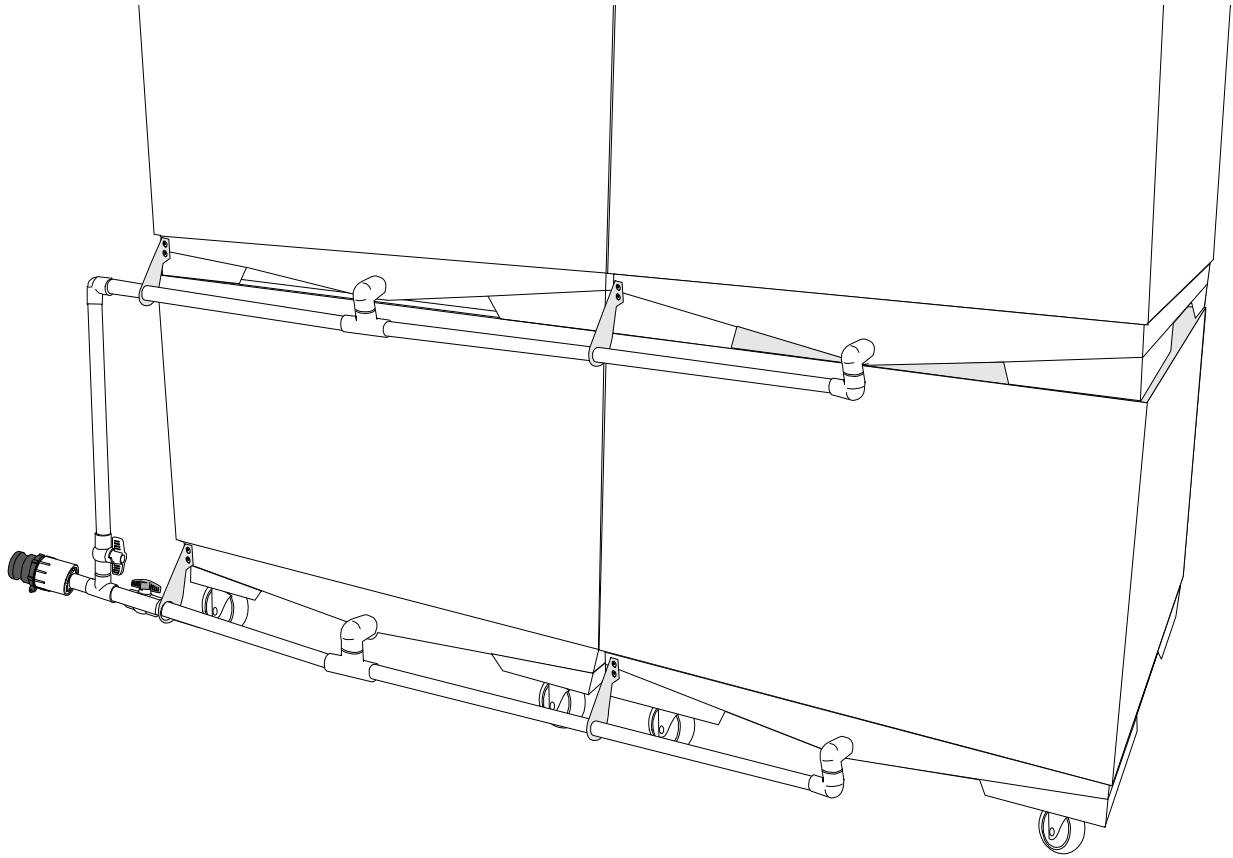
1. Install PVC Pipe to Drain Pipe for single unit



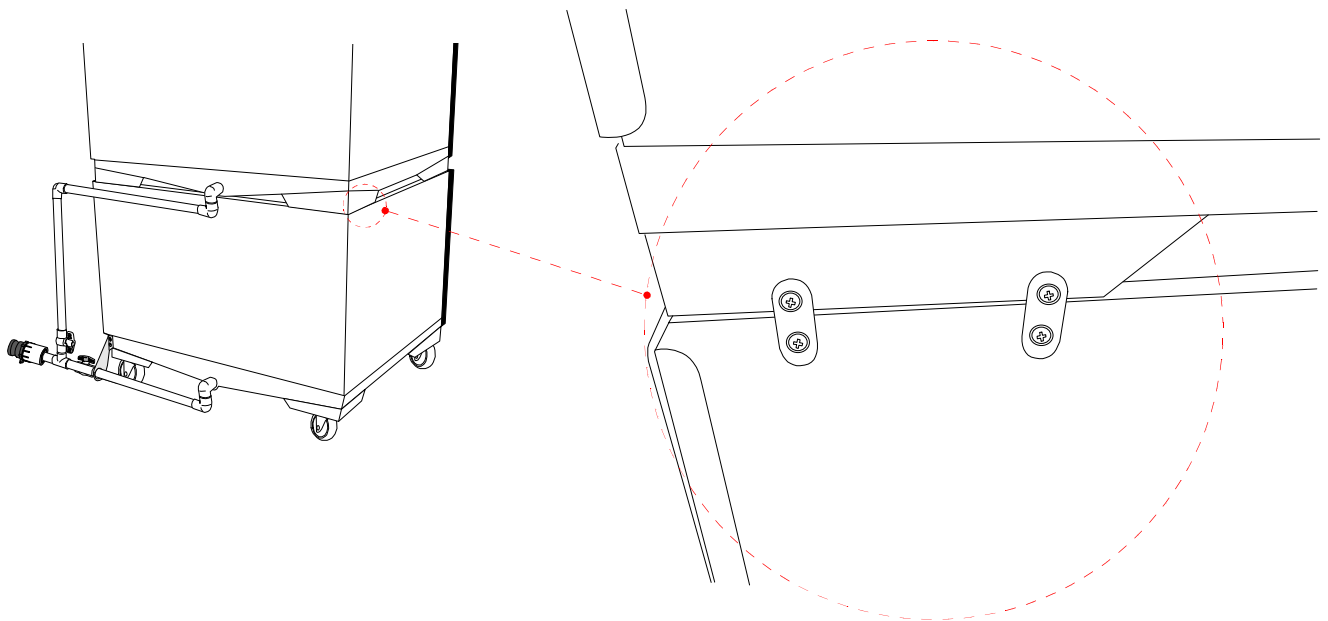
2. Install PVC Pipe to Drain Pipe for Stacked unit

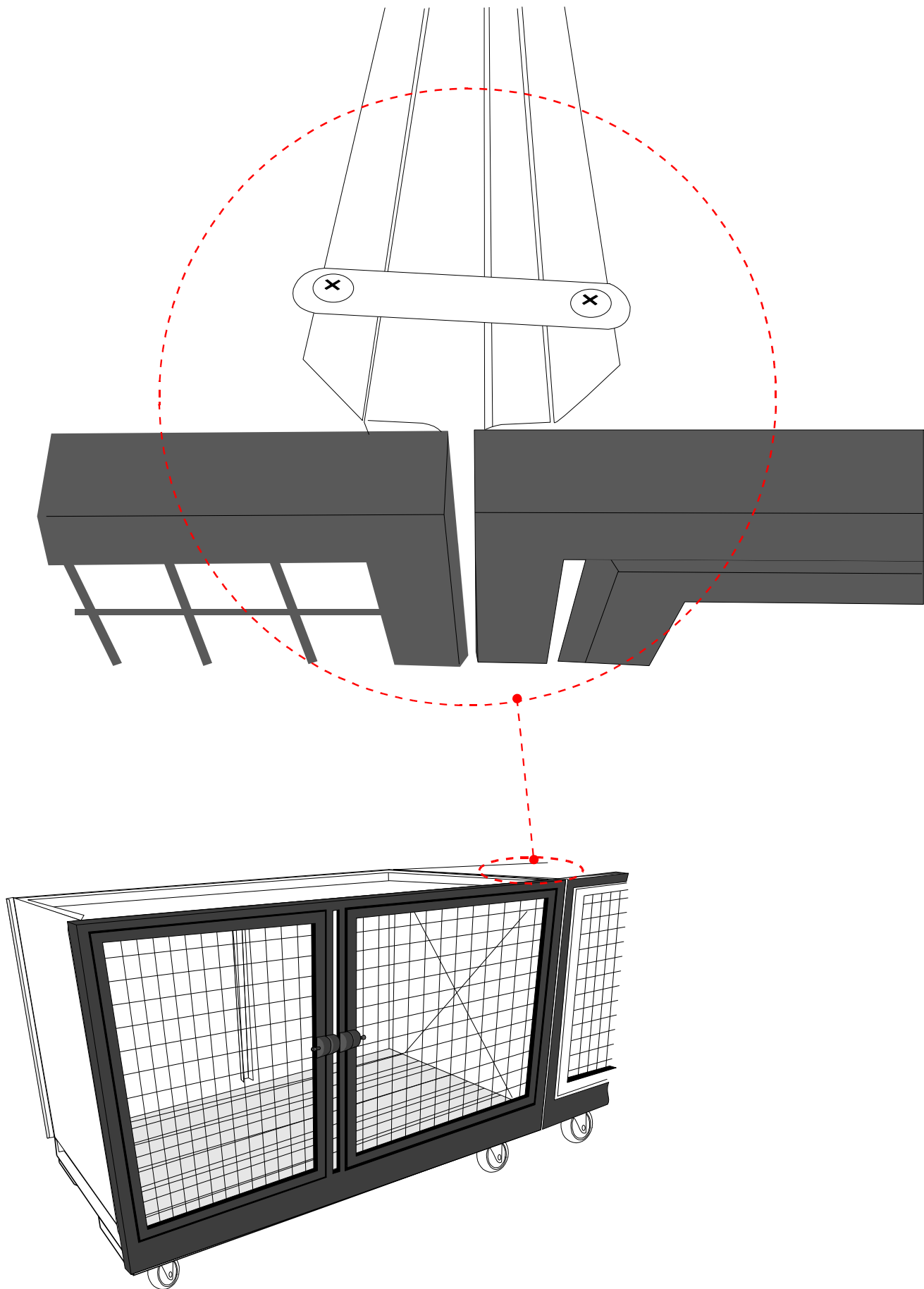


3. Install PVC Pipe to Drain Pipe for quad unit

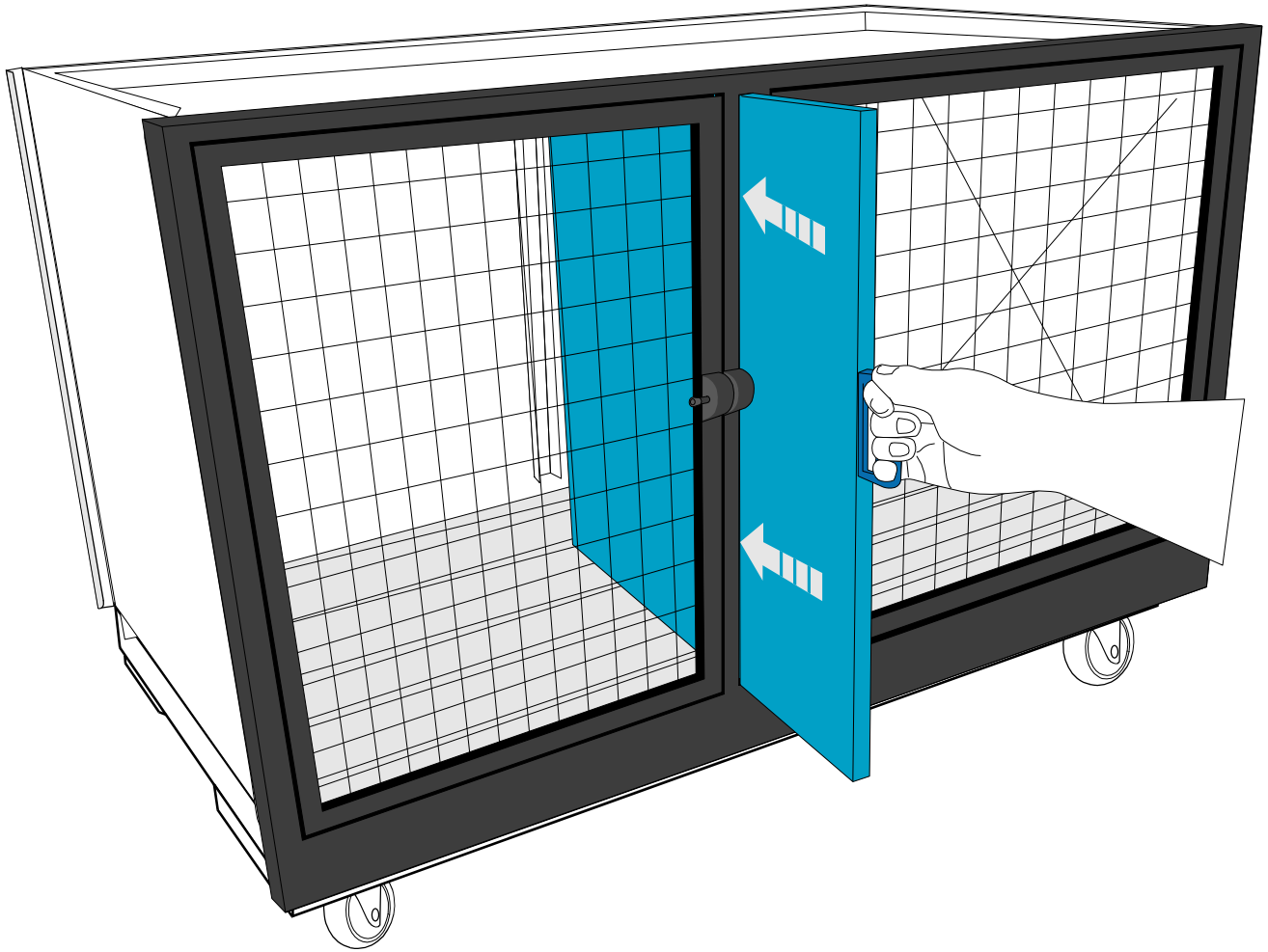


4. Install attaching Brackets to Each Unit both top to bottom and side to side





INSERTING PARTITION PANEL



A. Safety Guide

Thank you for purchasing this products.



WARNING • Before using, read these user's manuals of this product to ensure correct usage through understanding. After reading, store them in a safe place for future reference. Incorrect handling of this product could possibly result in personal injury or physical damage. The manufacturer assumes no responsibility for any damage caused by mishandling that is beyond normal usage defined in these manuals of this product.



- You will be using sharp tools. Always use personal protective equipment such as gloves and safety glasses to avoid the risk of injury.
- Make sure the floor you step on is dry, free from any liquids such as oil and water when assembling this product. Use anti-slip shoes to avoid falling due to slips.
- Keep this product out of reach of electric current, as this product is made of metal that conducts electricity.
- Make sure there is adequate lighting when doing the assembly. When assembling keep it away from children and pets.

B. Equipment needed to assemble.

Not included in the item package.

- Safety transparent glass (if there any)
- Safety Gloves and Safety Shoes
- Electrical Hand Drill

It is recommended that you have knowledge of assembly are helpfull.

SAFETY PRECAUTION

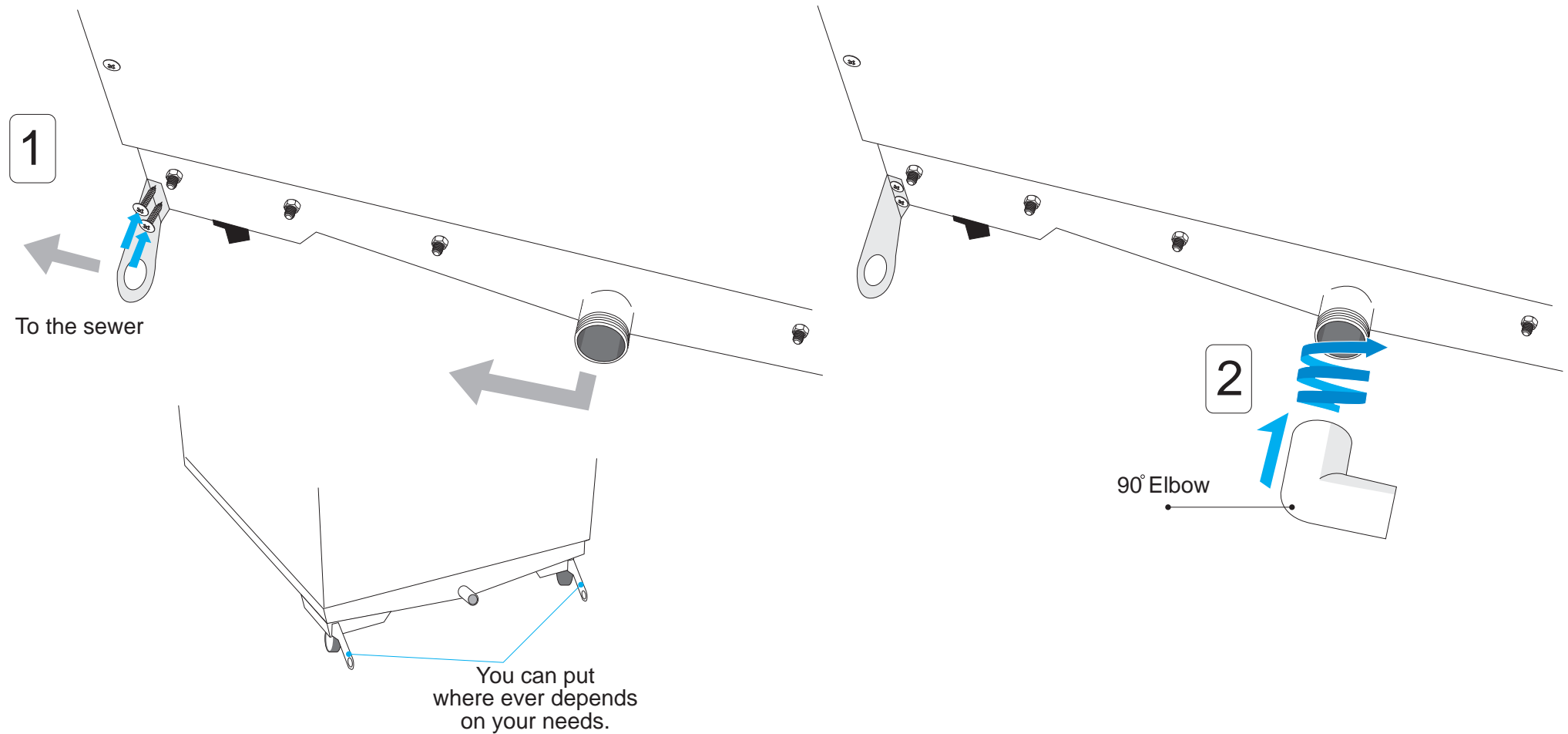


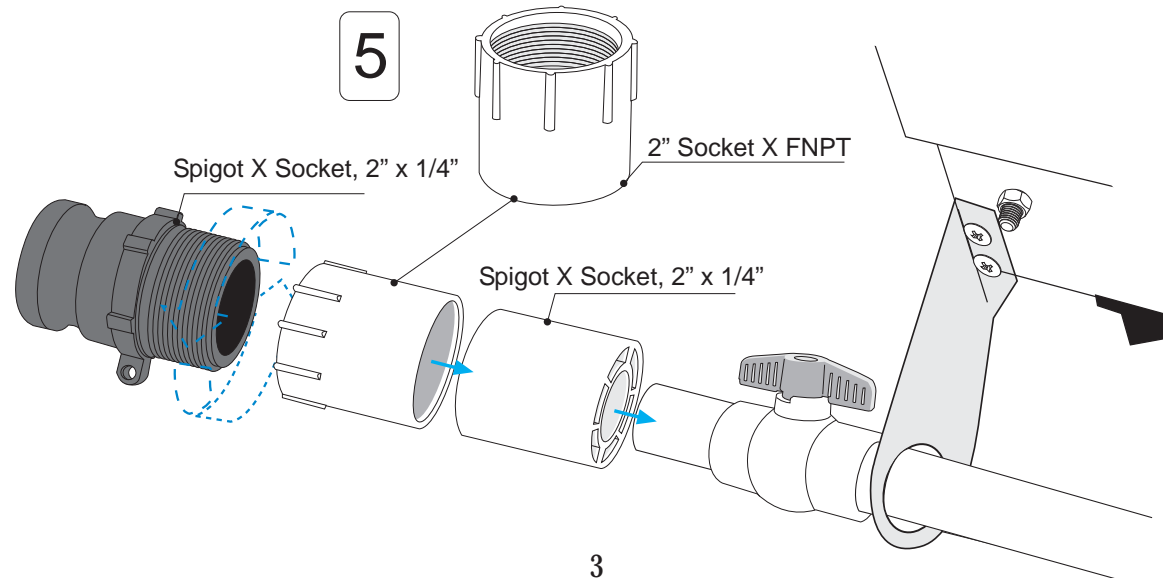
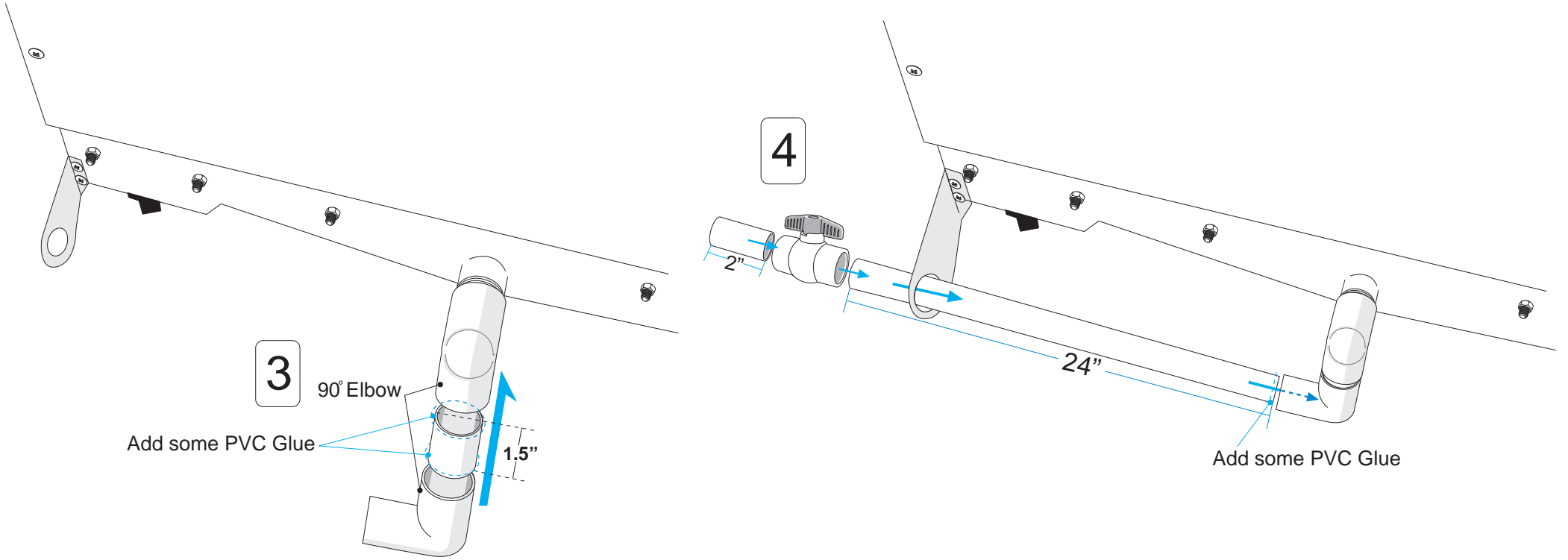
C. How to Assembly

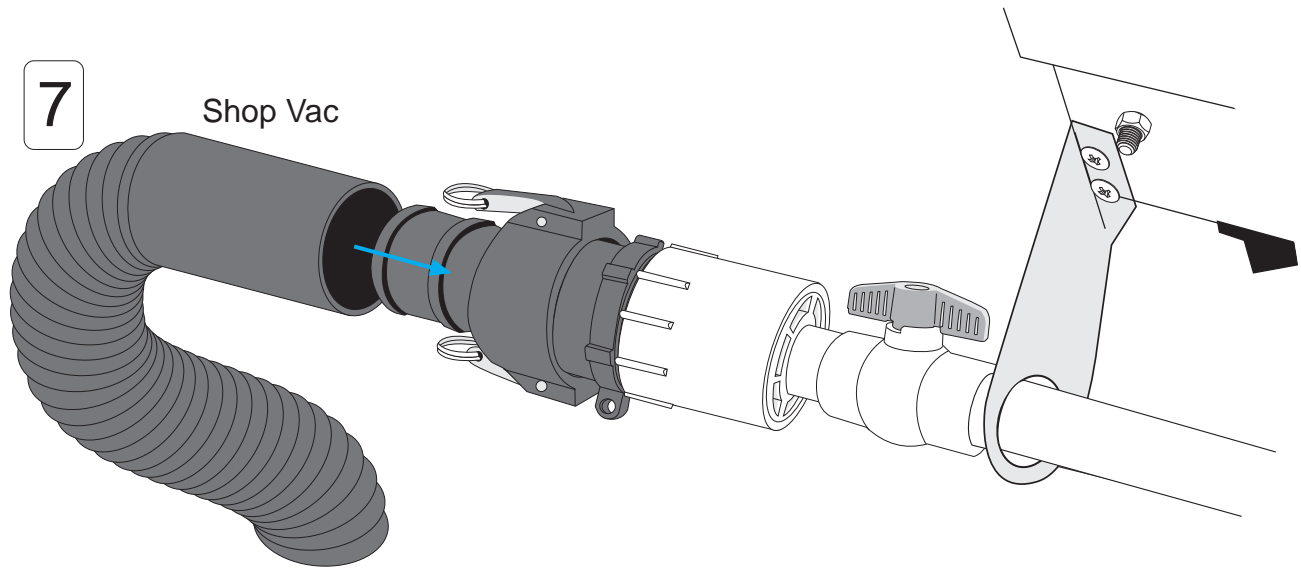
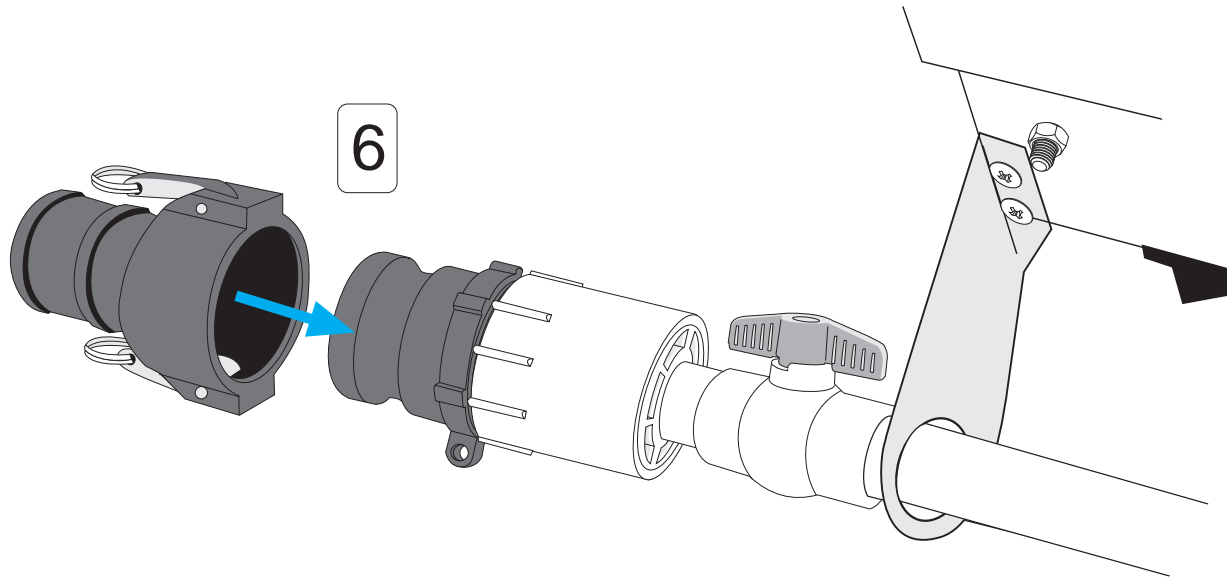
Single Pod Plumbing Connection

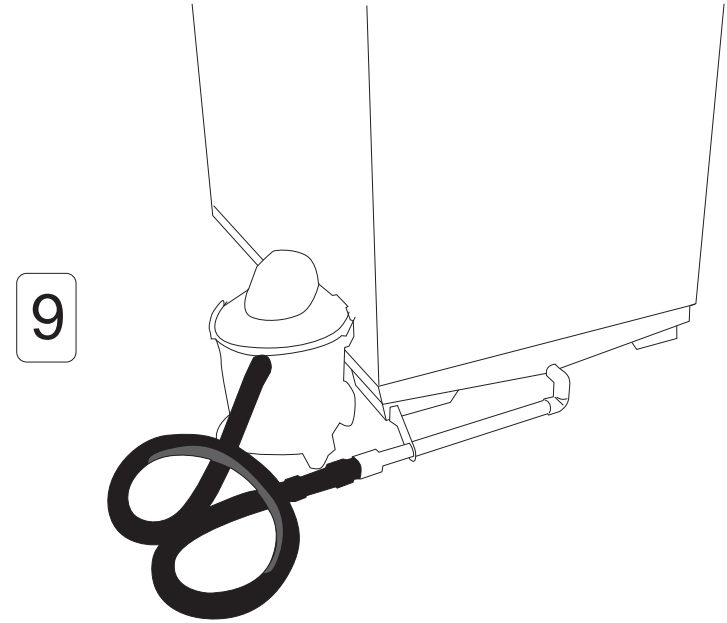
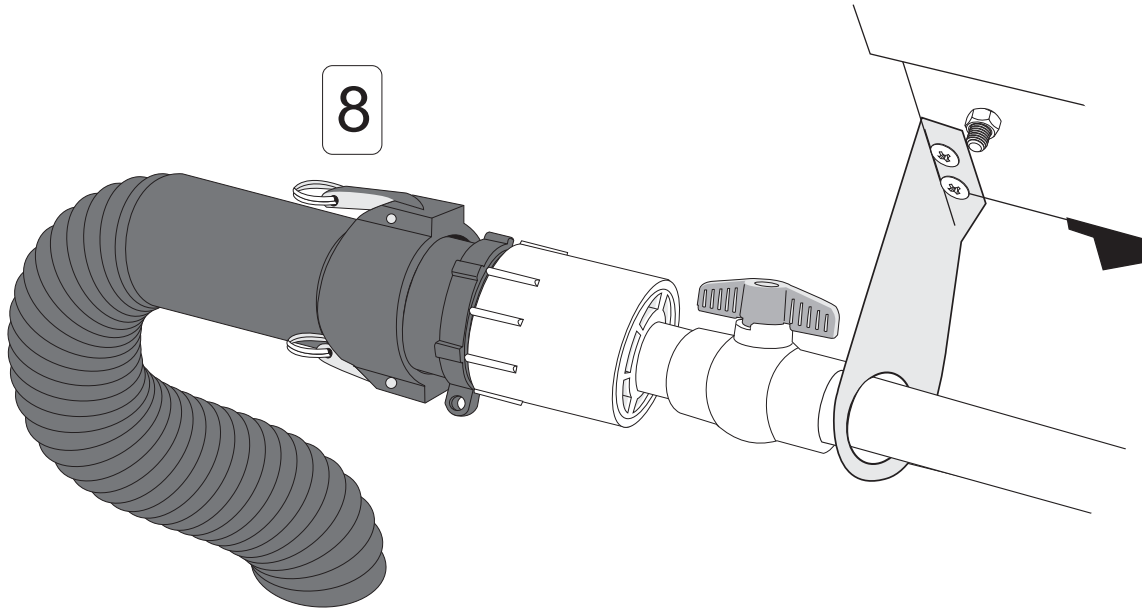
1. Attach the Pipe Holder

Adjust the position of the pipe handle according to the direction of the pipe installation path you want. Use a hand drill to make the job easier.

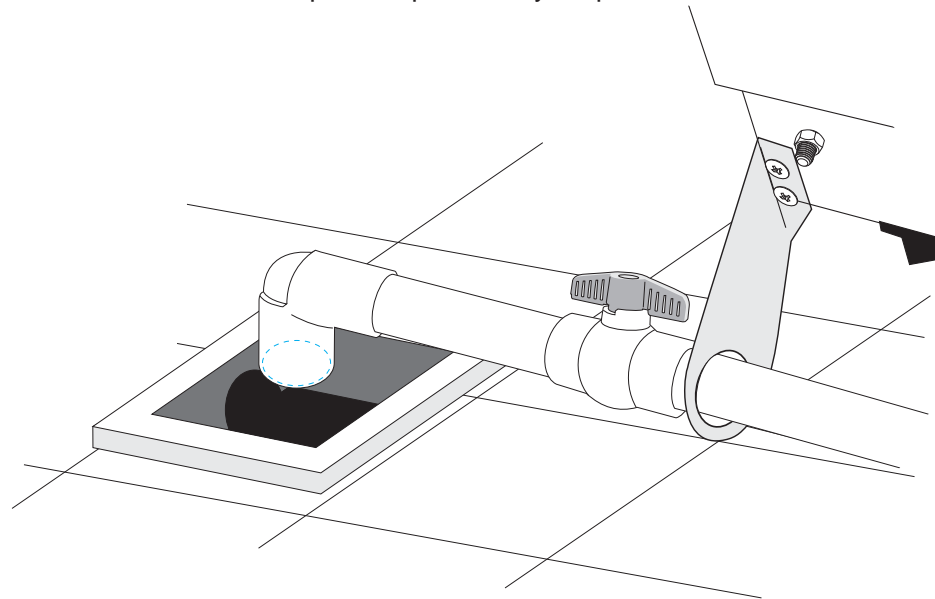






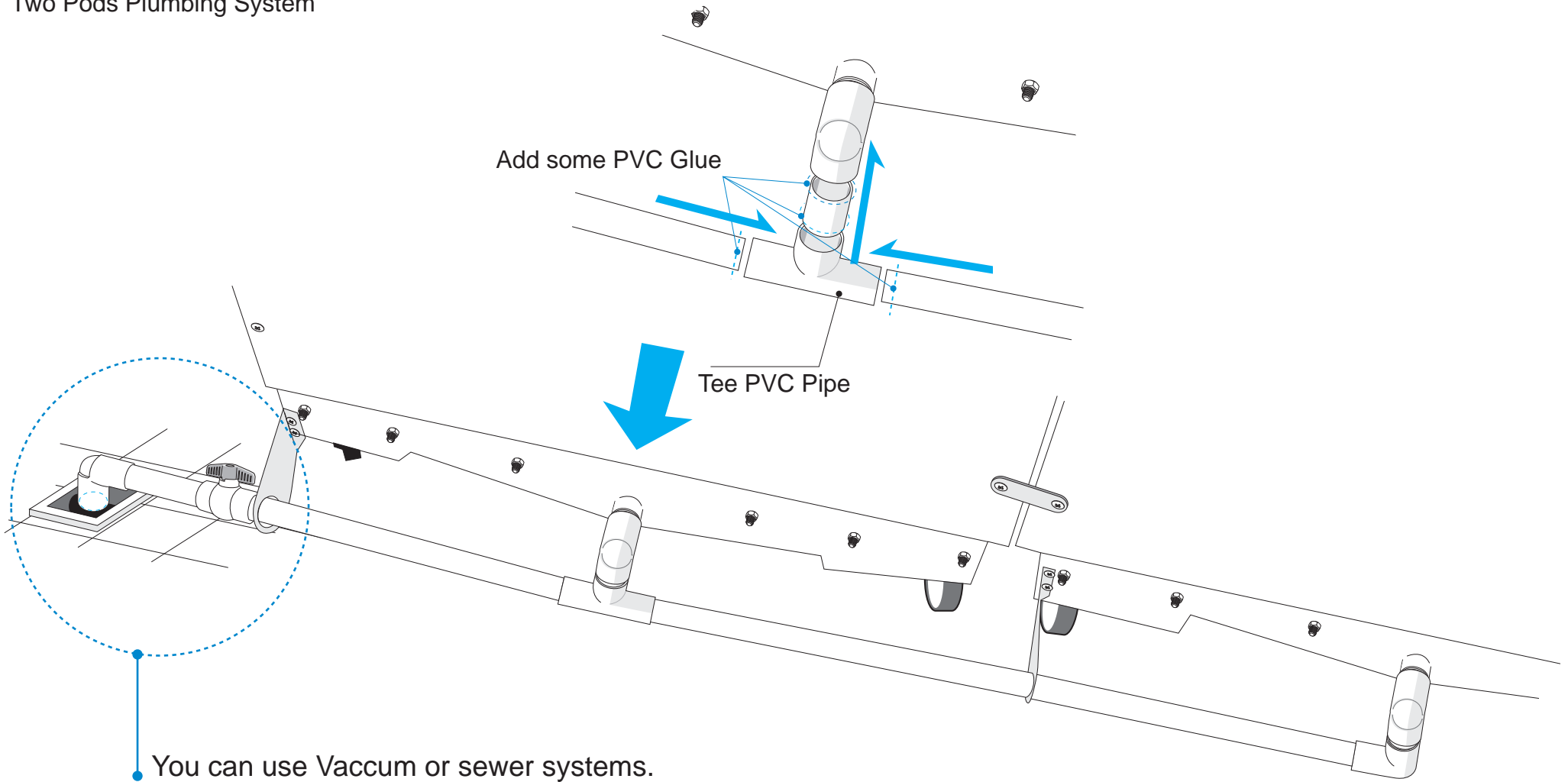


If you don't use vaccum system then just direct the plumbing into your sewer holes.
The setup are depends on your place conditions.



Multiple Pod Plumbing

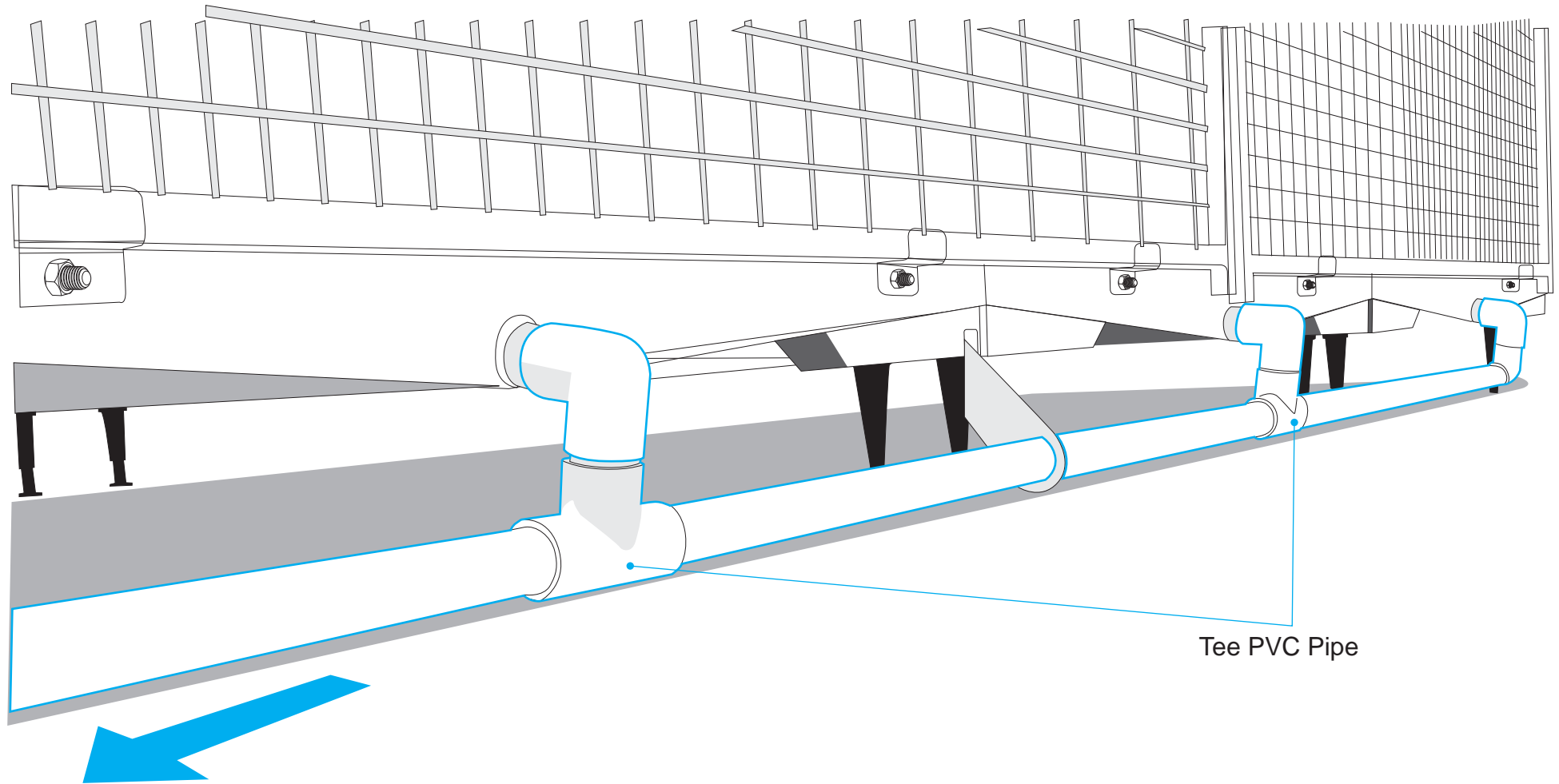
Two Pods Plumbing System



You can use Vacuum or sewer systems.
The setup are depends on your place or your needs conditions.

Multiple Pod Plumbing

Three or more Pods Plumbing System



Tee PVC Pipe

to the Sewer or Vaccum Single Pod Plummbing Connection System